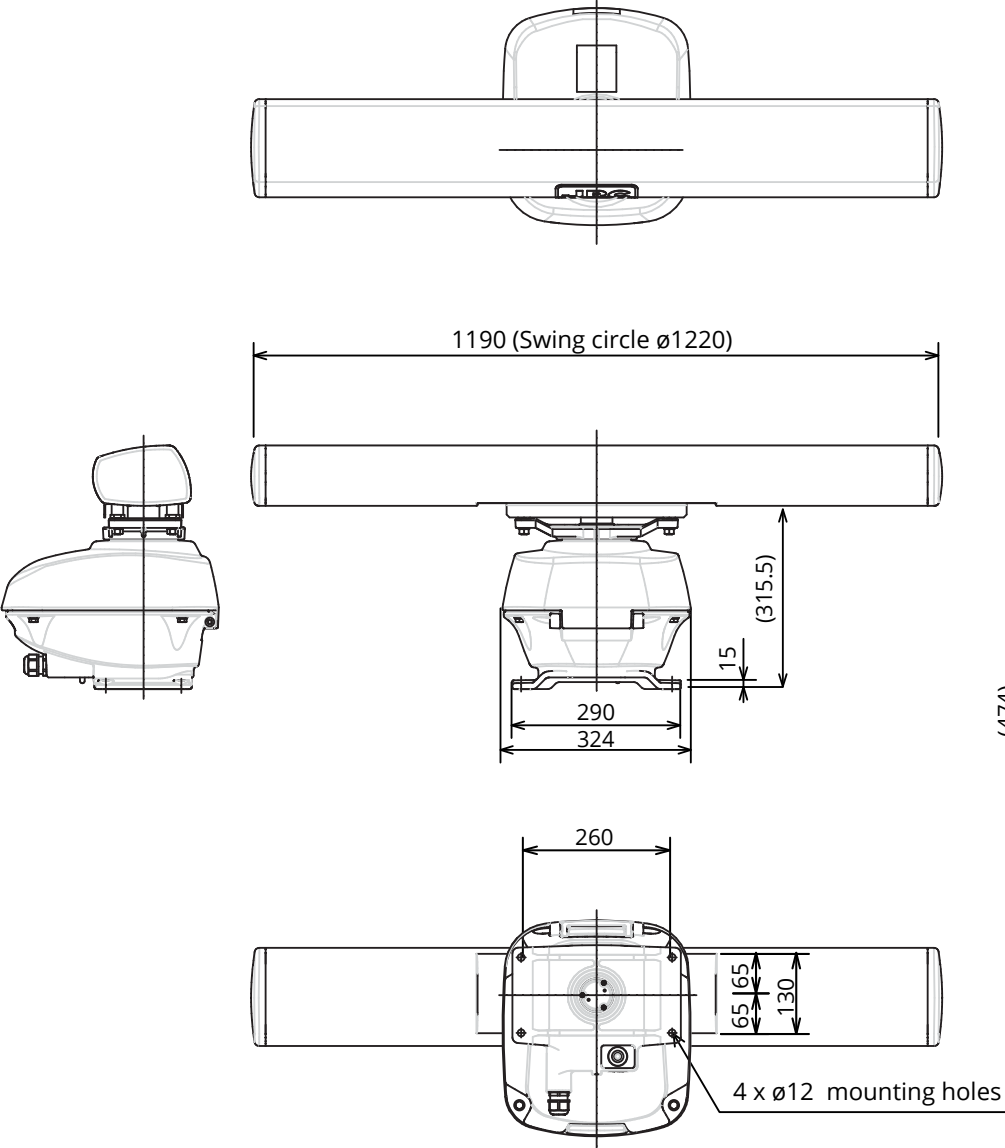


**NKE-2063** Scanner footprint



**MOUNTING DIMENSIONS (TOP VIEW)**

